

# Ethernet remote relay box

## Switch 230V and 12V on and off via Ethernet

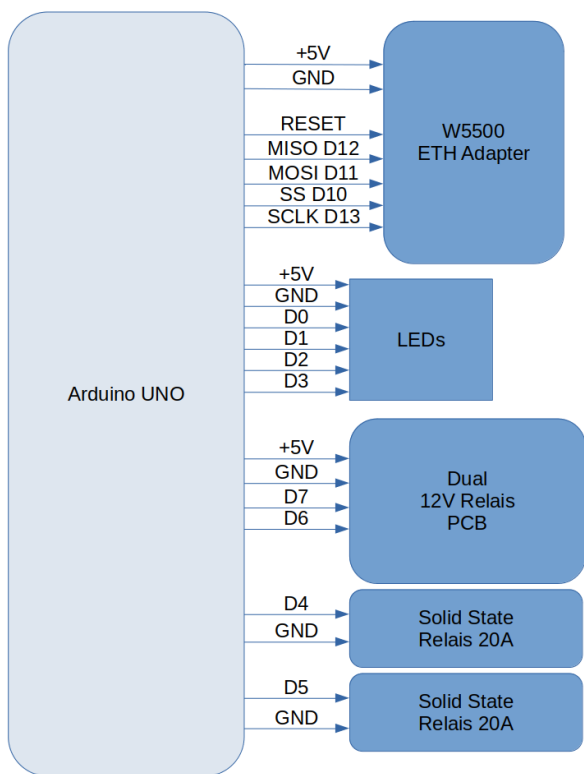
### Overview

Digital QSOs or satellite operation can be done remotely since a long time. However, I do not want to run the devices 24/7 but only switch them on when I need them. This box does that.

- 2 pcs. 230V solid state relay (20A)
- 2 pcs. 12V Relay

### Hardware

I didn't feel like designing my own board, so I use commercially available boards from the Arduino environment:



### firmware

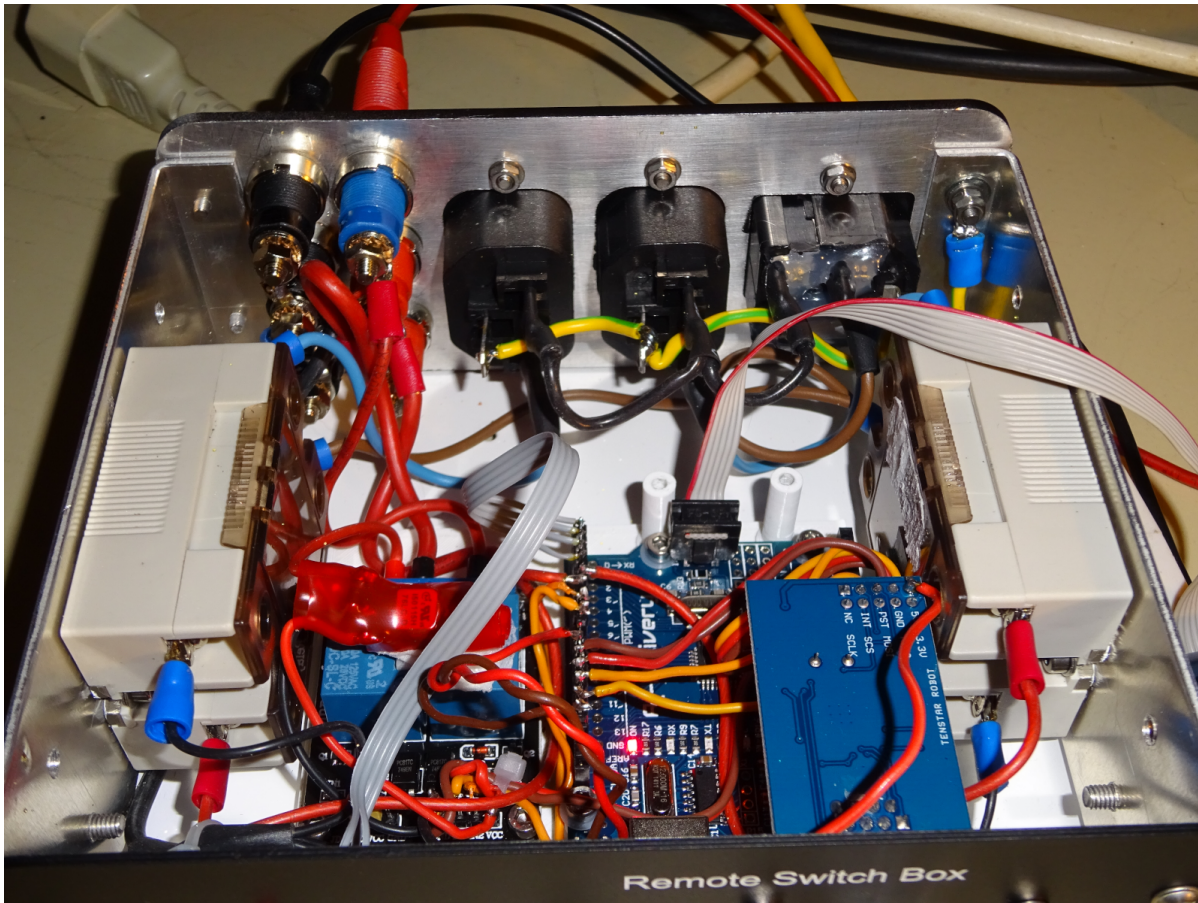
this firmware is compatible with the Arduino development environment. It is simply flashed onto an Arduino UNO. For this you need a programmer like the AVR-ISP-2 or others. Flashing via USB is not possible (or only 1x) because all ports of the Arduino are needed for the switchbox and are not available for USB.

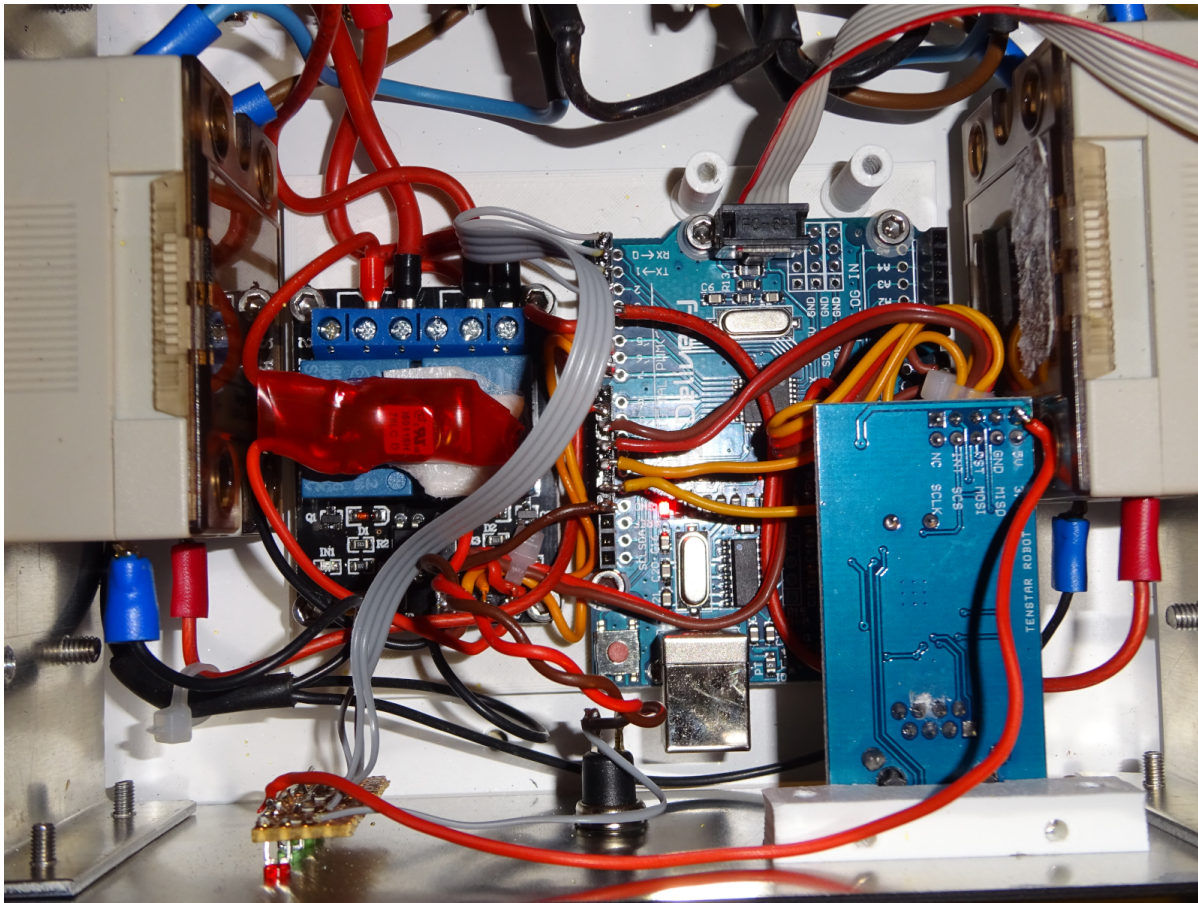
## webserver.zip

This file also contains the web page which is delivered to a browser. The communication runs with AJAX, so the web page is loaded only once and then provides fast access to the 4 relays without being reloaded each time.

## Pictures

the case, painting and laser lettering was done by DL1EV.





From:

<http://projects.dj0abr.de/> - **DJ0ABR Projects**

Permanent link:

[http://projects.dj0abr.de/doku.php?id=en:switchbox:switchbox\\_overview](http://projects.dj0abr.de/doku.php?id=en:switchbox:switchbox_overview)



Last update: **2021/11/06 19:21**