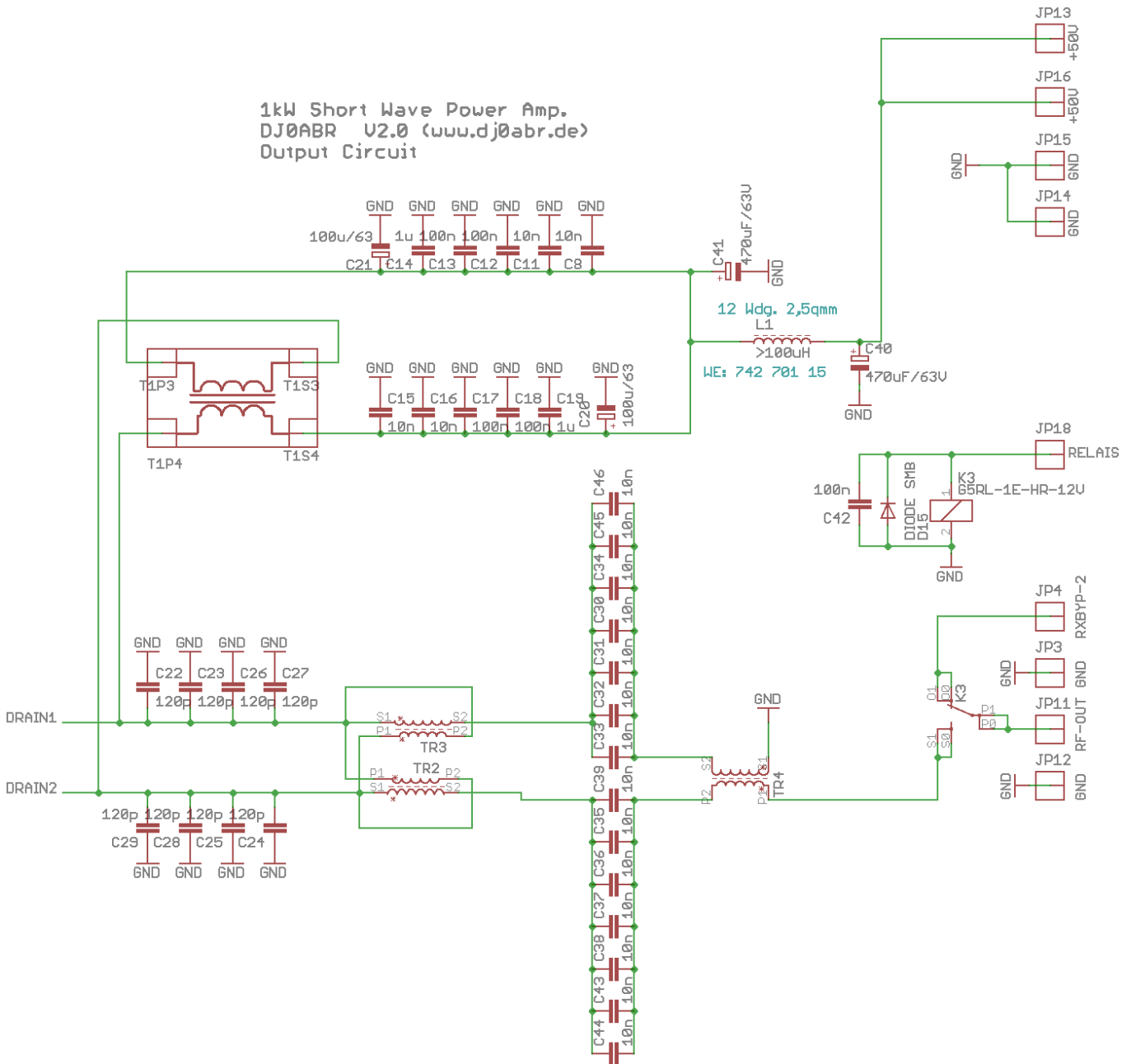


1kW LDMOSFET Power Amplifier for short wave

Output circuit

(click to enlarge)



From:

<http://projects.dj0abr.de/> - **DJ0ABR Projects**

Permanent link:

http://projects.dj0abr.de/doku.php?id=en:kwldmospa:kwpa_output



Last update: **2021/04/02 01:22**