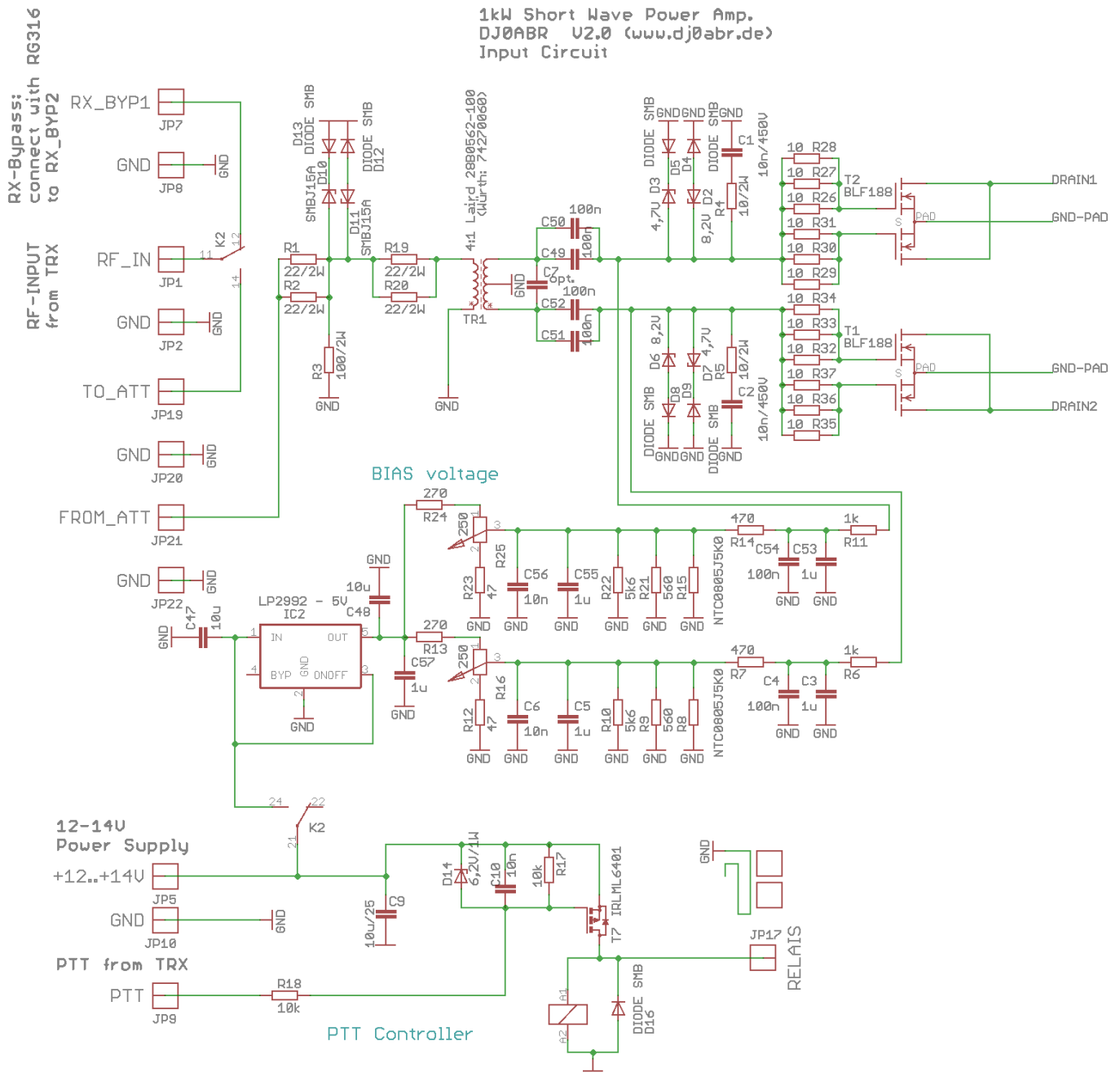


1kW LDMOSFET power amplifier for short wave

Input Circuit

(click to enlarge)



From:

<http://projects.dj0abr.de/> - **DJ0ABR Projects**

Permanent link:

http://projects.dj0abr.de/doku.php?id=en:kwldmospa:kwpa_input

Last update: **2021/04/01 23:22**

